



3" LED RECESSED RETROFIT KIT BAFFLE 3000K SPECIFICATION SHEET

SKU: A3/LED/3000K/BAFFLE

The A3/LED/3000K/BAFFLE is a 3" LED Baffle Retrofit kit. It is compatible with most 3" recessed standard housings. Ideal for both remodel or new construction applications. The retrofit kit comes with a disconnect screw-in base lead for easy installation into standard incandescent sockets.

Features

- White painted Diecast body is appropriate for heat dissipation.
- Oversized trim ring constructed from one-piece diecast.
- 3 Tension clips pre-installed on unit for easy installation.
- E26 medium screw-base Edison connector provides easy retrofit of incandescent housings.

Specifications

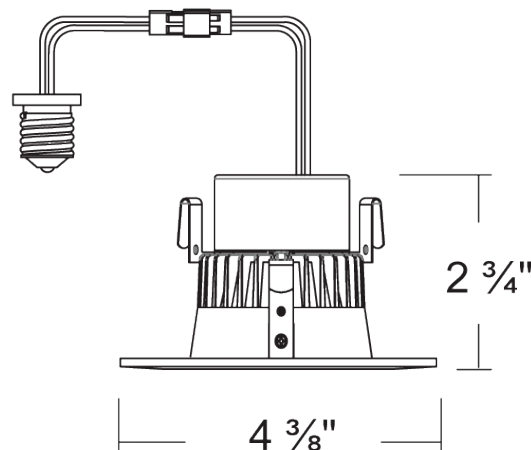
- Input Voltage: 120V
- Input Power: 9W
- Frequency: 50/60Hz
- Operation Temp: -30°C~40°C (-22°F~104°F)
- Lumens: 680lm

LED Light Engine

- Protected LED driver performs at 120V (120-277V available).
- Dimming down to 10% with most dimmers (at 120V only).
- CCT: 3000K
- CRI: ≥90
- Long life LED chips guaranteed up to 50,000 hours.

Listings

- cULus classified
- Energy star qualified
- Wet locations (Not suitable for coastal/salt water area)
- Damp locations
- RoHS compliances
- Title 24 compliant
- Tested in accordance with IESNA LM79 & LM80



Project:	
Contact:	
Location:	
Fixture Type:	

Quantity	Notes