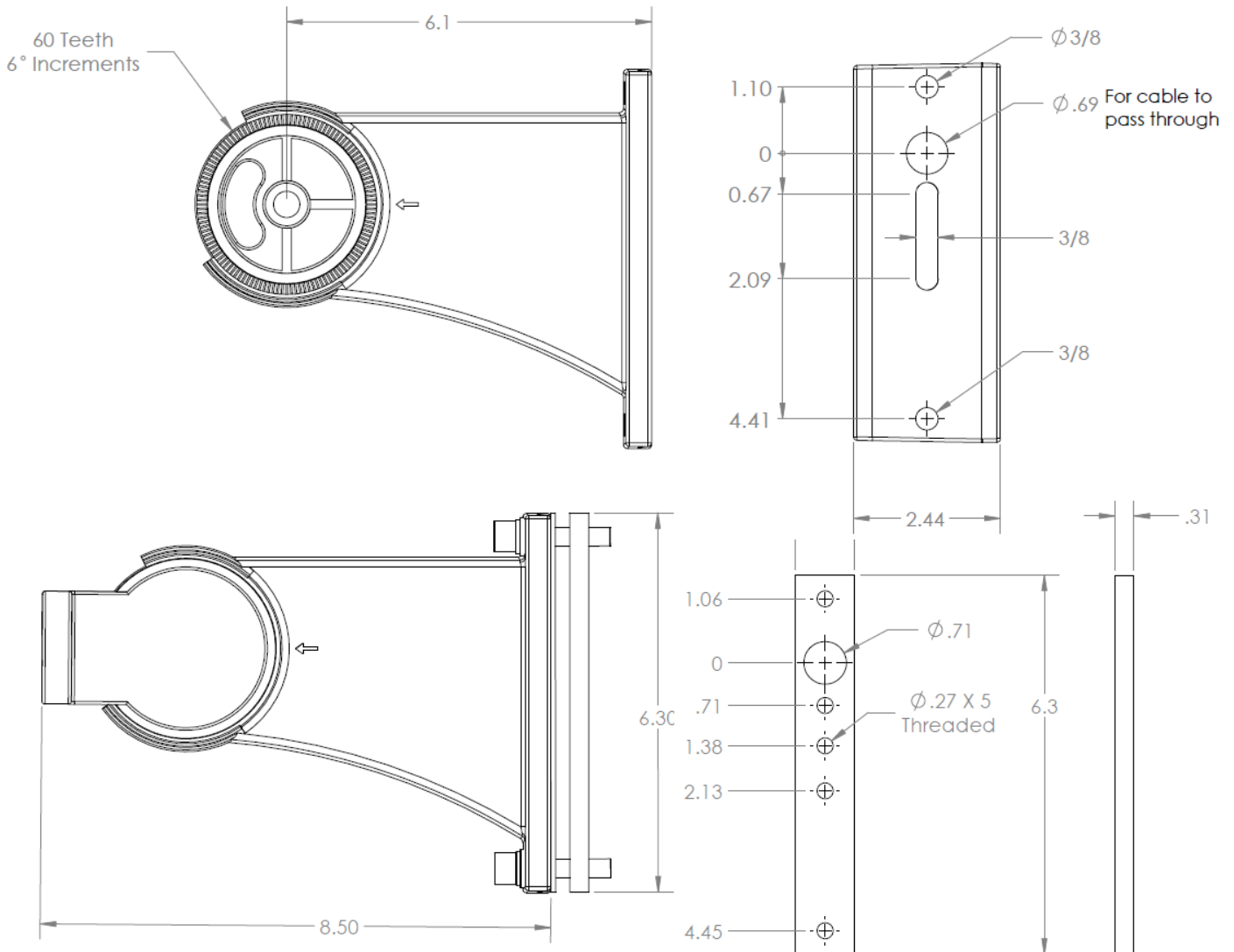
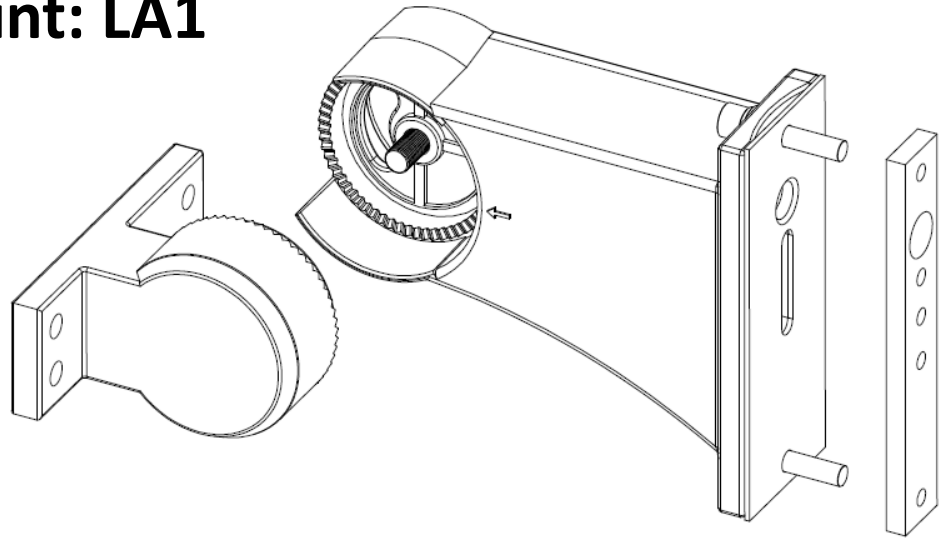
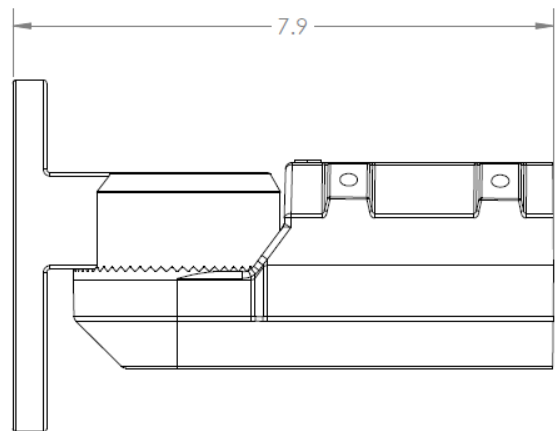
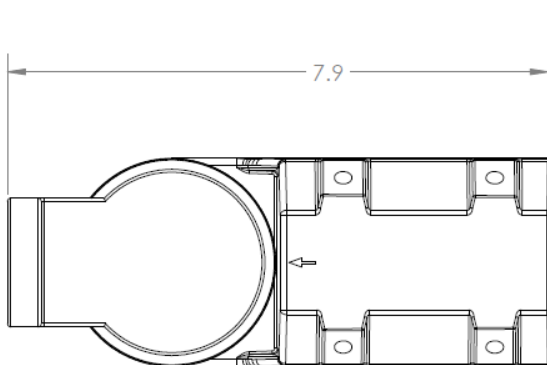
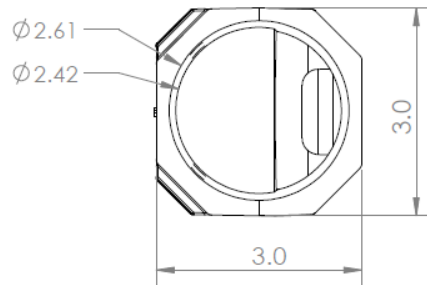
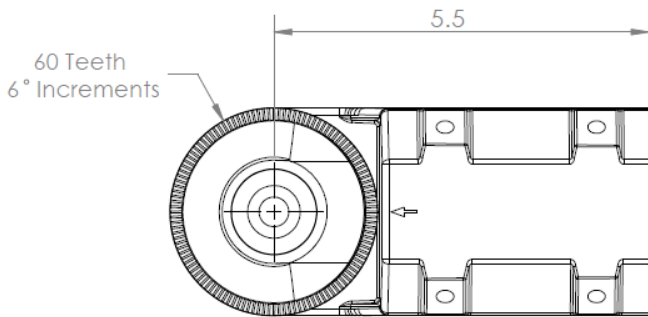
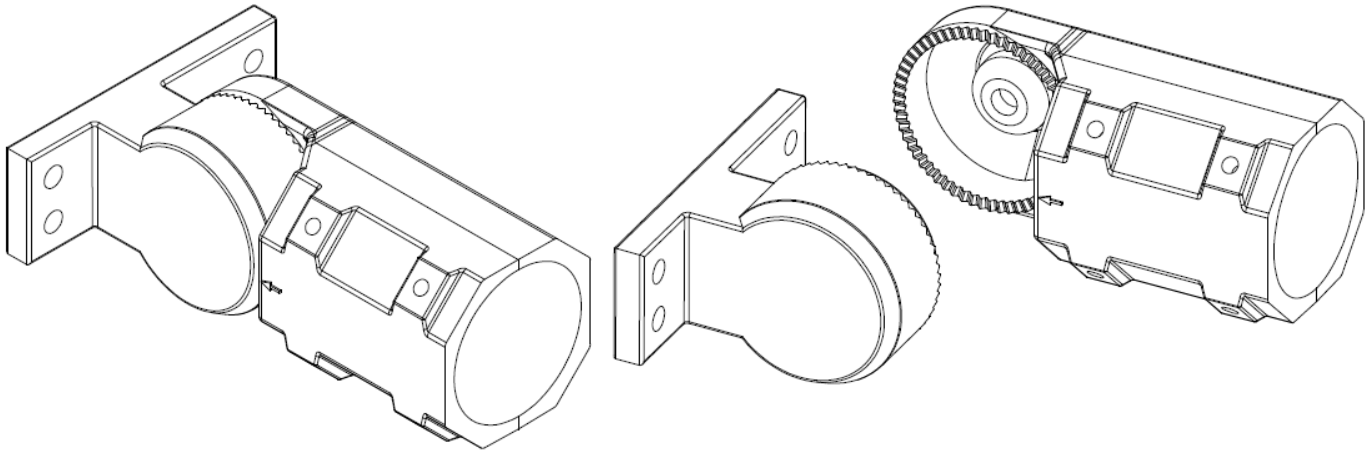


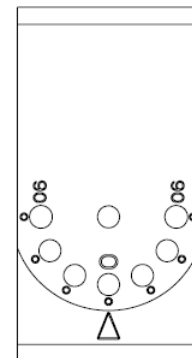
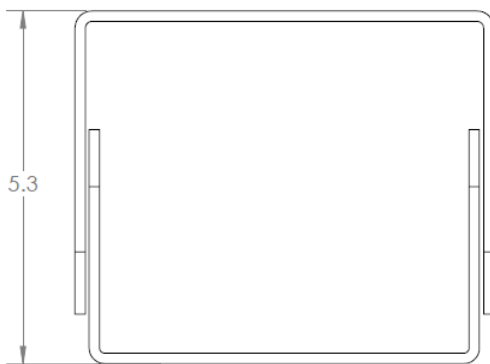
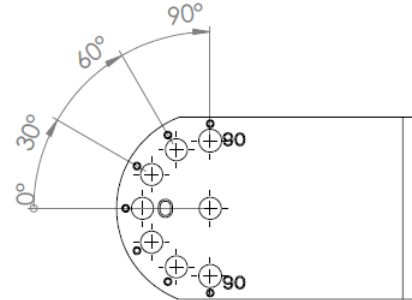
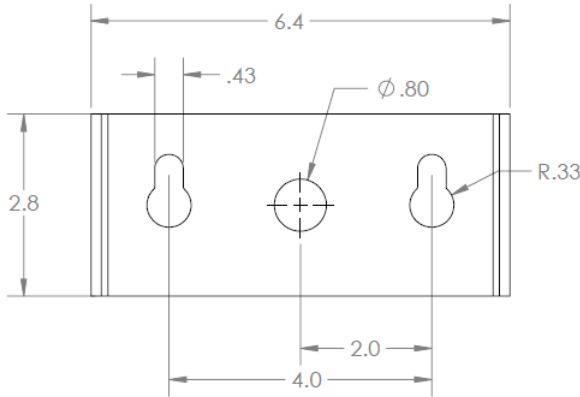
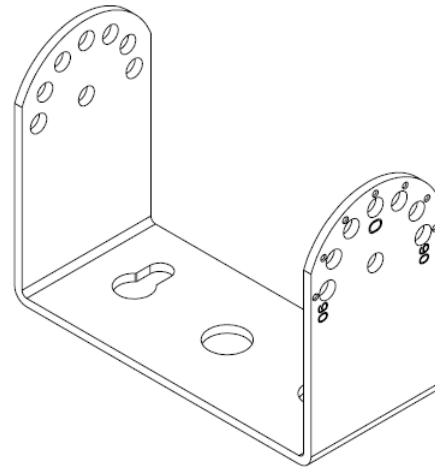
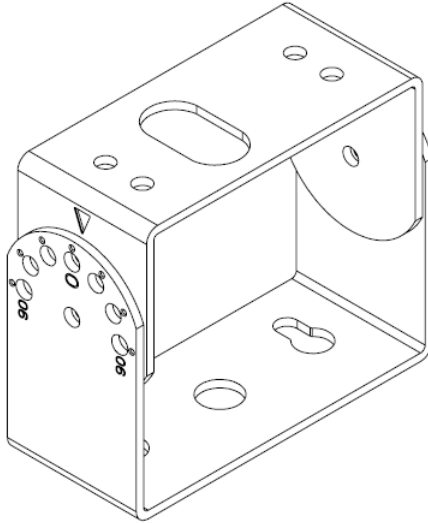
**Direct Mount: LA1**



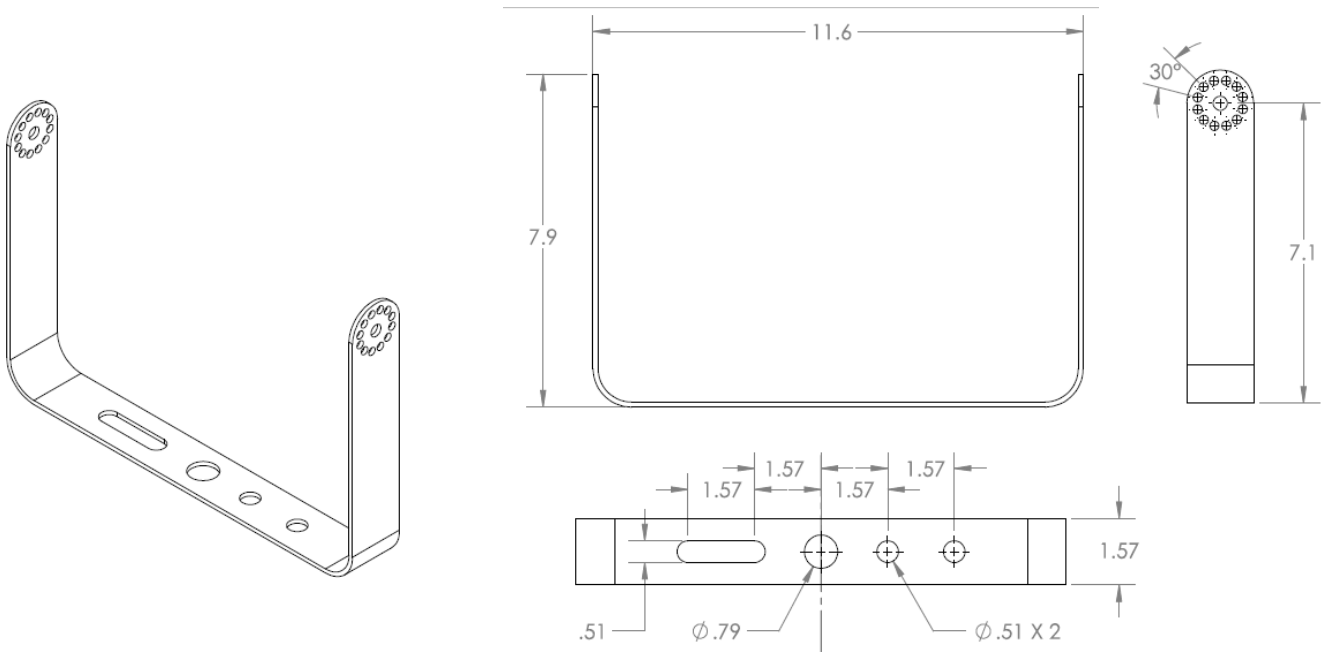
# Slip Fitter: LA1



**Trunnion: LA1**



**Yoke: LAM1**



**Yoke: LAL1**

